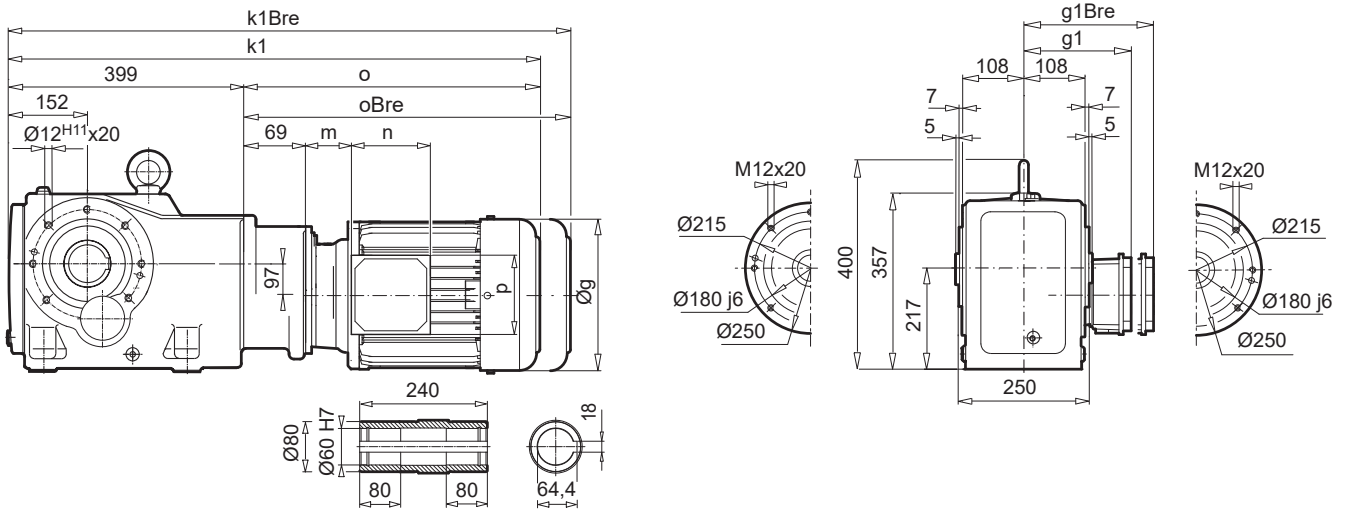
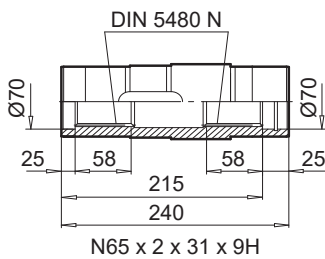


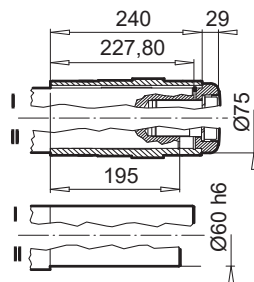
**SK 9043.1AZ**



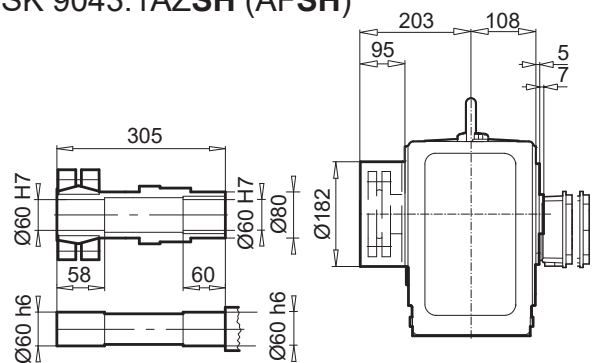
**SK 9043.1AZEA**



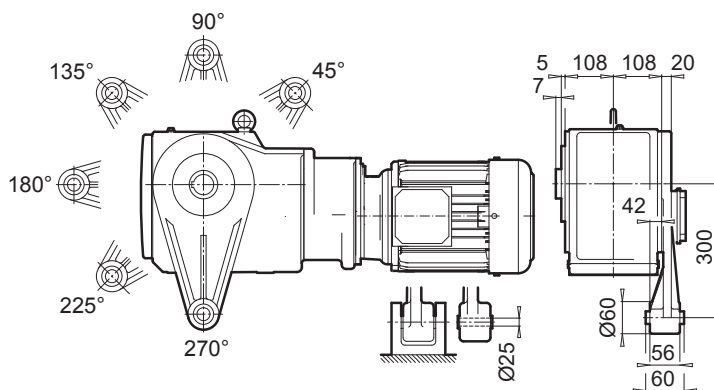
**SK 9043.1AZB (AFB)**



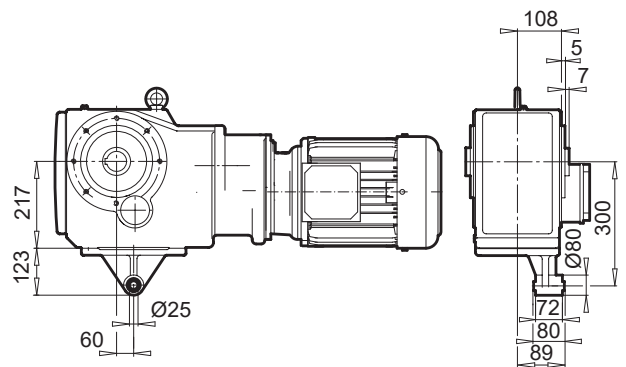
**SK 9043.1AZSH (AFSH)**




**SK 9043.1AZD**



**SK 9043.1AZK**



Helical-bevel gear units

⇒ A61	71 S/L	80 SH	80 LP	90 SP/LP	100 LP		
<b>g</b>	145	165	165	183	201		
<b>g1 / g1Bre</b>	124 / 132	142 / 142	142 / 142	147 / 147	169 / 173		
<b>k1 / k1Bre</b>	700 / 758	725 / 789	725 / 789	766 / 841	796 / 887		W⇒ E121
<b>o / oBre</b>	230 / 288	255 / 319	255 / 319	296 / 371	326 / 417		IEC ⇒ A12
<b>m / mBre</b>	36 / 42	41 / 45	41 / 45	46 / 50	52 / 56		
<b>n / nBre</b>	100 / 134	114 / 153	114 / 153	114 / 153	114 / 153		
<b>p / pBre</b>	100 / 89	114 / 108	114 / 108	114 / 108	114 / 108		