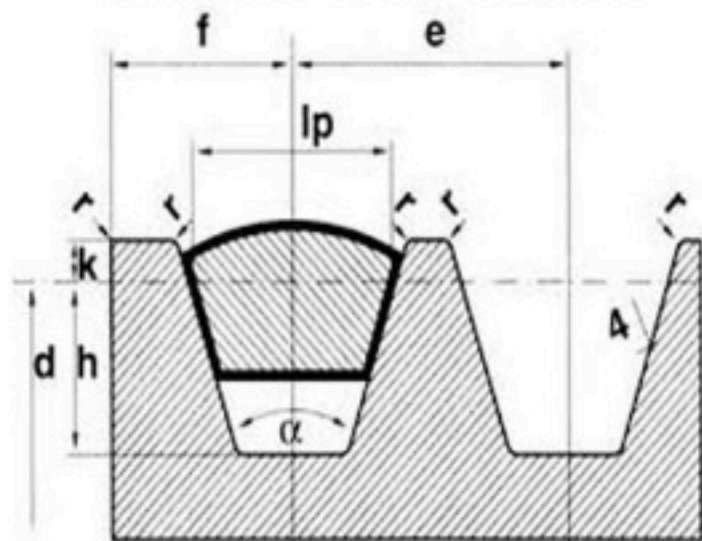


**groove sizes A and C are
order basis message us
in the chat box**



Decimal Inches	Fractional Inches	Metric	Decimal Inches	Fractional Inches	Metric
0.031"	1/32"	0.79 mm	0.750"	3/4"	19.05 mm
0.062"	1/16"	1.57 mm	0.813"	13/16"	20.65 mm
0.125"	1/8"	3.18 mm	0.875"	7/8"	22.23 mm
0.188"	3/16"	4.78 mm	0.938"	15/16"	23.83 mm
0.250"	1/4"	6.35 mm	1"	1"	2.54 cm
0.313"	5/16"	7.95 mm	2"	2"	5.08 cm
0.375"	3/8"	9.53 mm	3"	3"	7.62 cm
0.438"	7/16"	11.13 mm	4"	4"	10.16 cm
0.500"	1/2"	12.70 mm	5"	5"	12.70 cm
0.563"	9/16"	14.30 mm	6"	6"	15.24 cm
0.625"	5/8"	15.88 mm	7"	7"	17.78 cm
0.688"	11/16"	17.48 mm	10"	10"	25.40 cm